

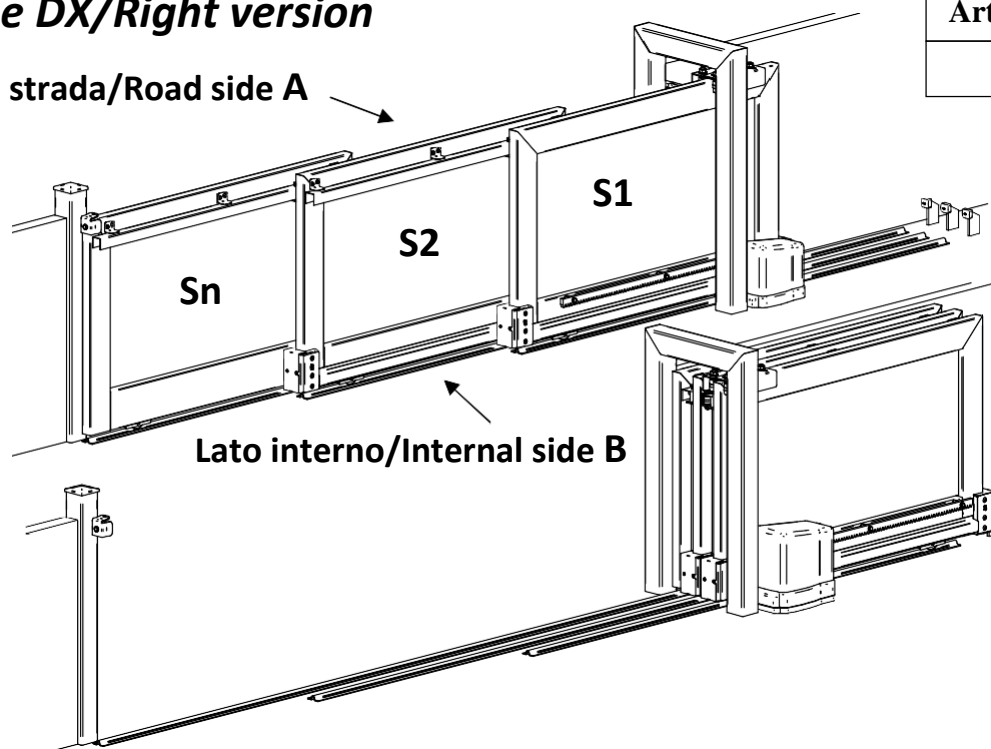
## ARTICLES FOR TELESCOPIC SLIDING MULTI-LEAF GATE

### Description

The Kit parts are made in galvanized steel optimized for use on telescopic sliding gates having up to 3 leaves . For use with 4 leaves is possible, but we recommend special attention and care. In such cases, pay particular attention to any friction and the free sliding of the leaves. A reduction gear may be required. The kit is designed to be mounted on right side (for the left side version consult the specific manual section)

### Versione DX/Right version

Lato strada/Road side A

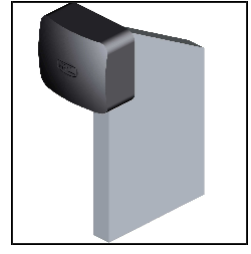
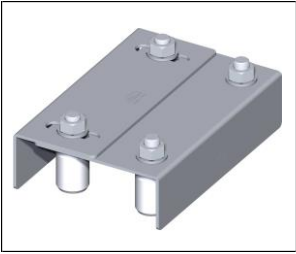


Articles family

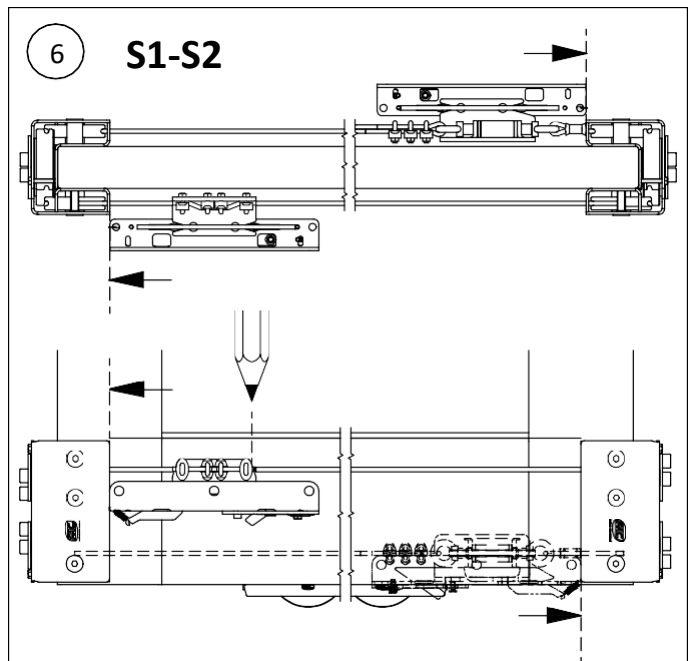
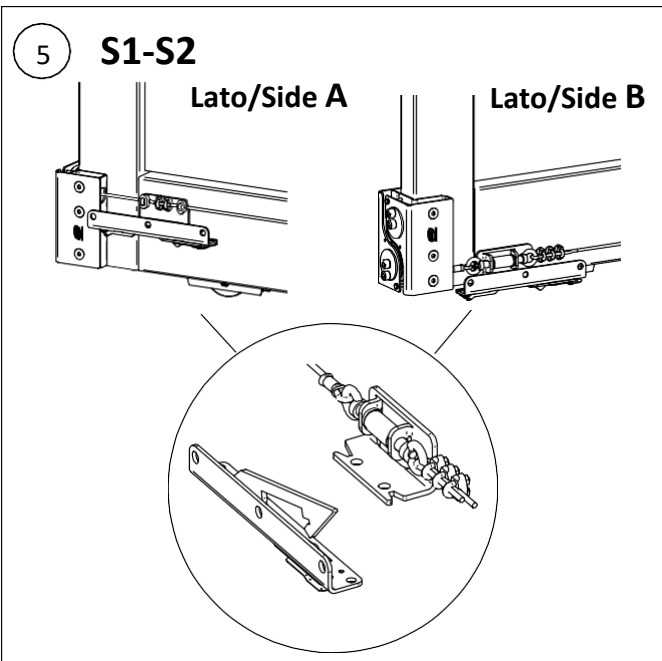
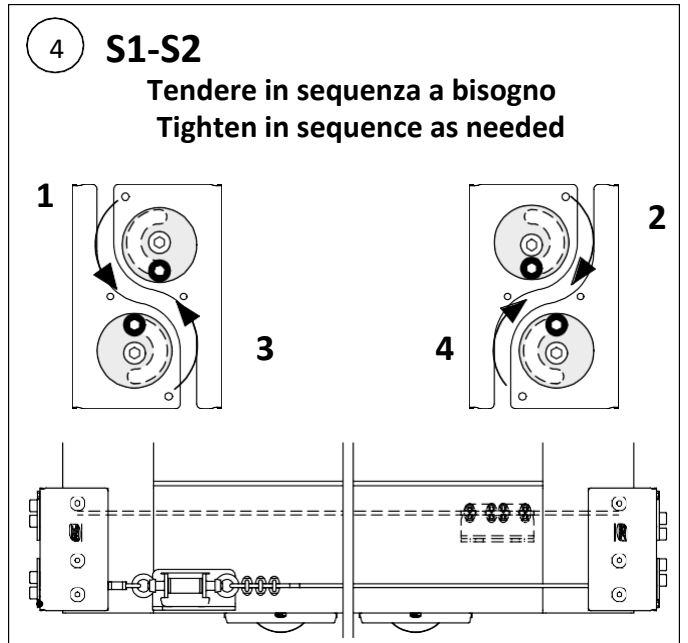
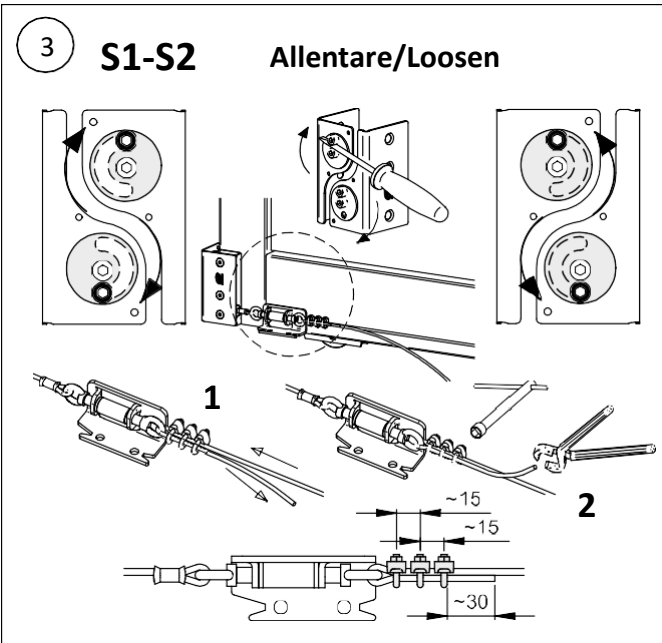
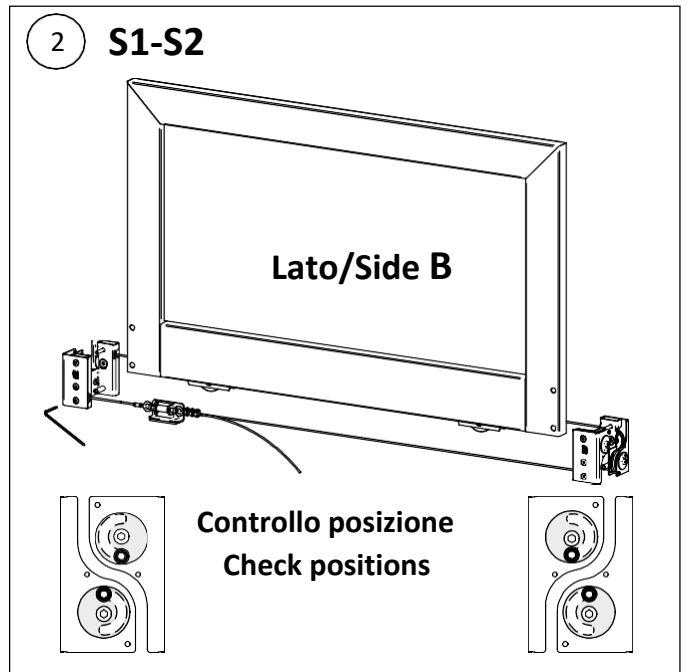
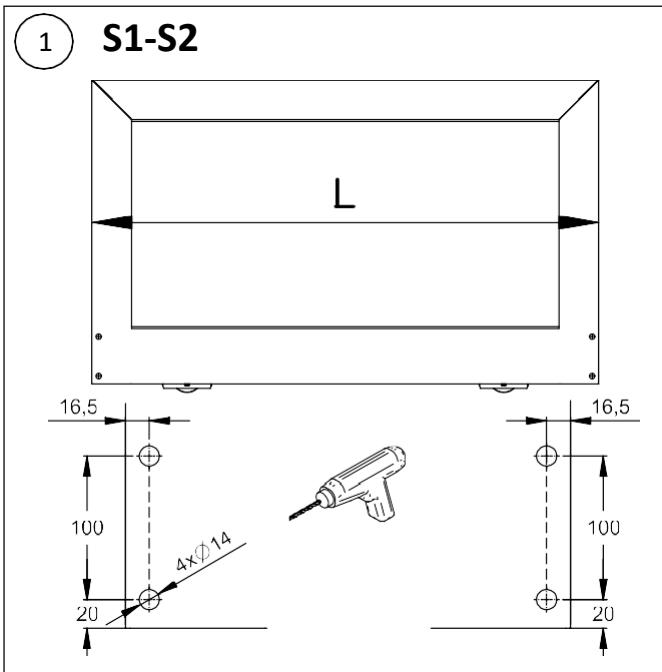
KA5102

### Lista Componenti/Componet list

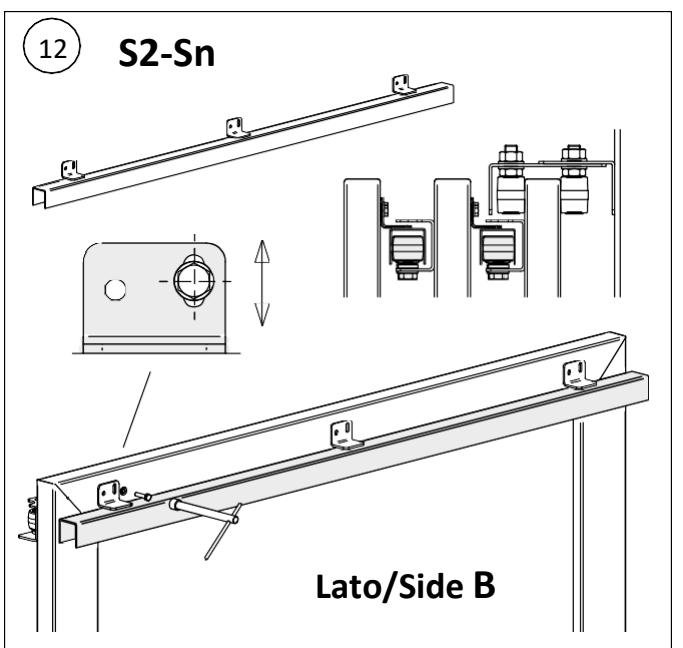
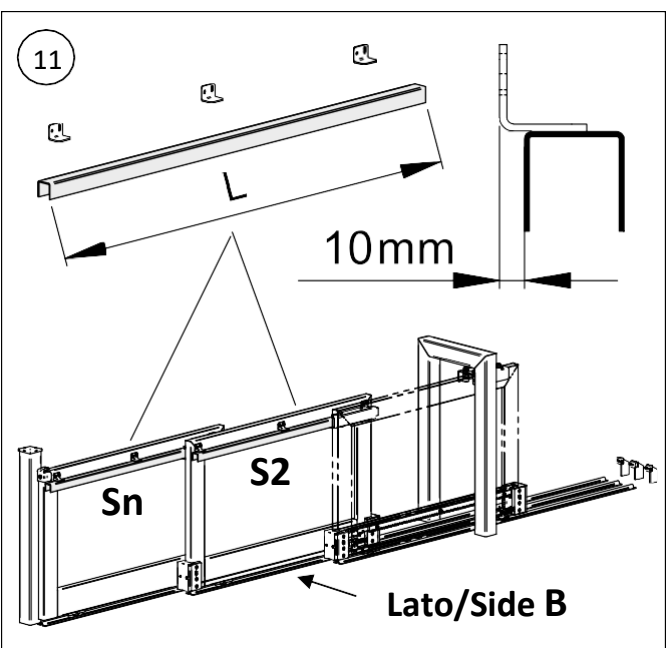
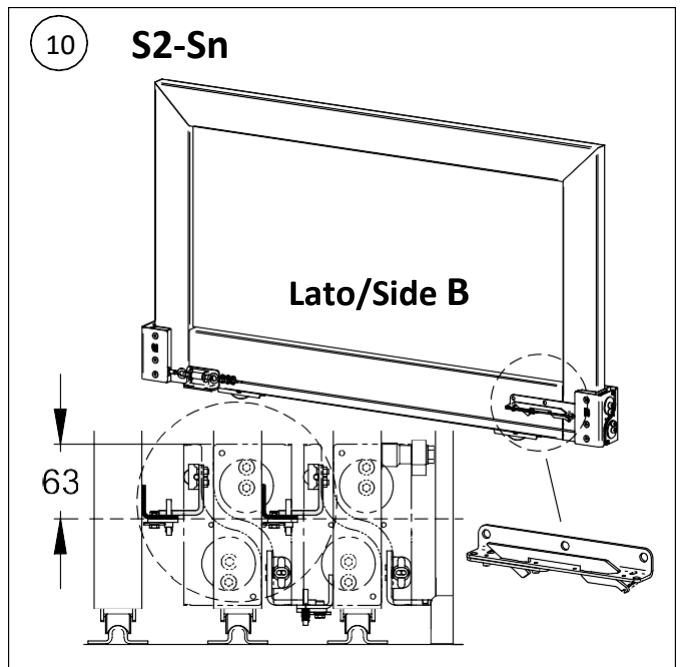
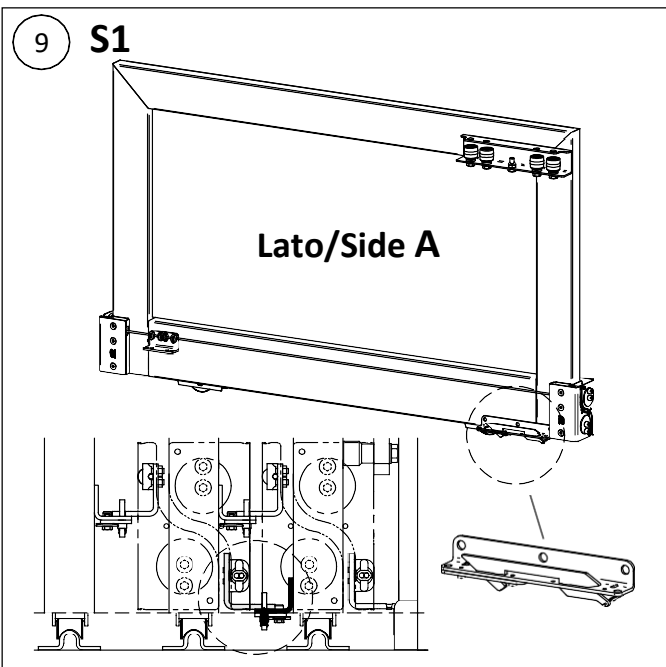
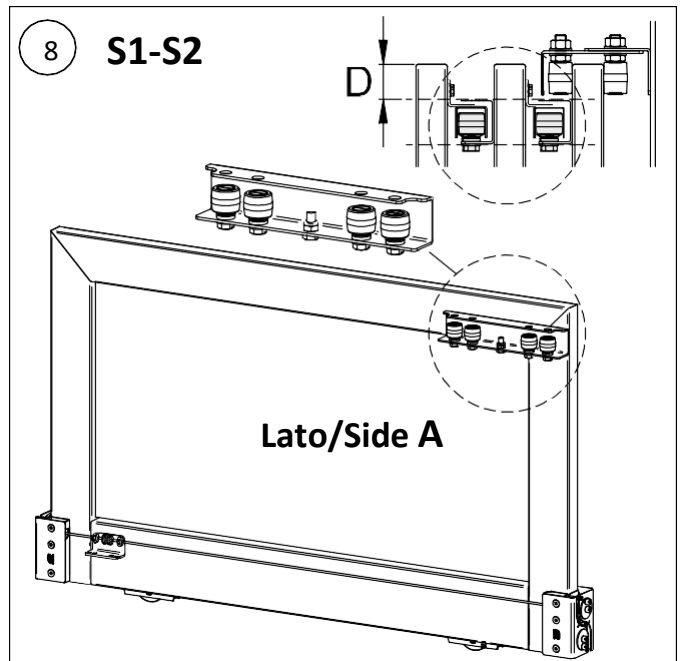
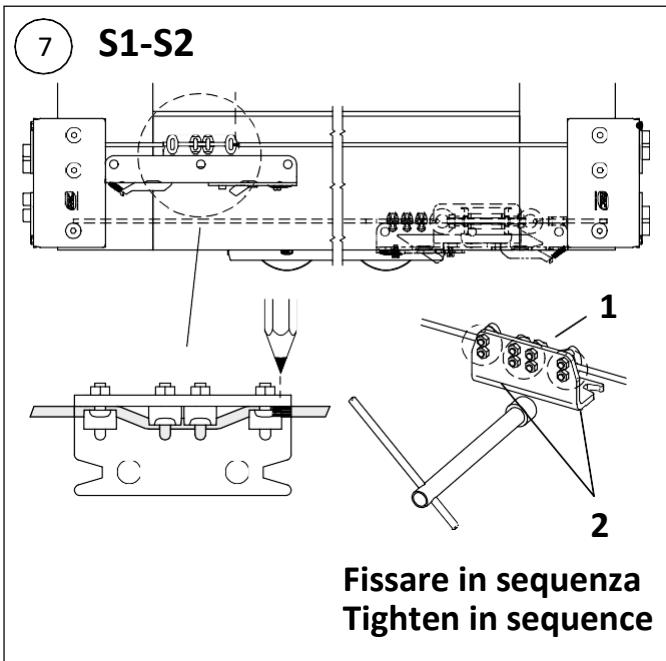
1xVA5102.002/004	1xVA5202.004	1xVA3502.N34	4-7xVA5302.001
1xVA3203.A30/B40 Optional	VA5401.003/006 Optional	VA5411.001 Optional	Articoli complementari Complementary articles



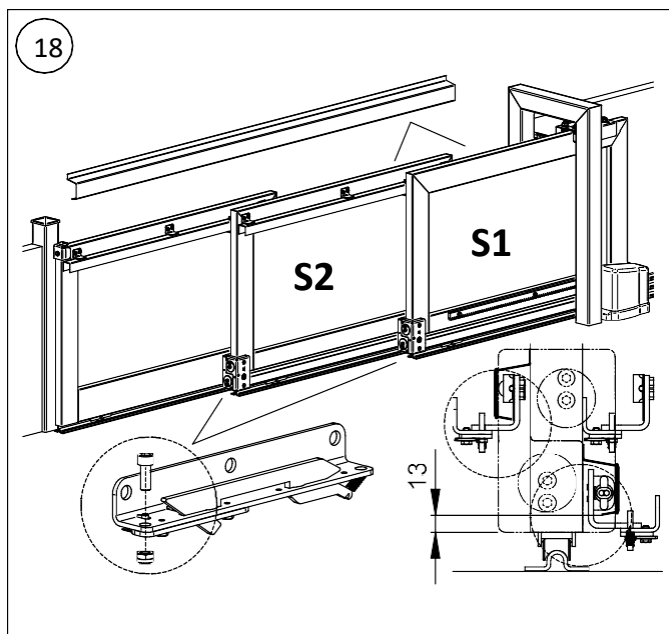
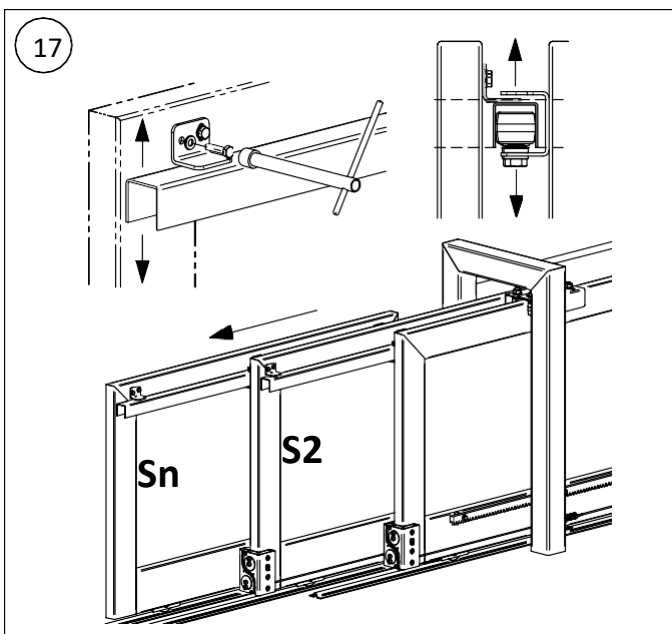
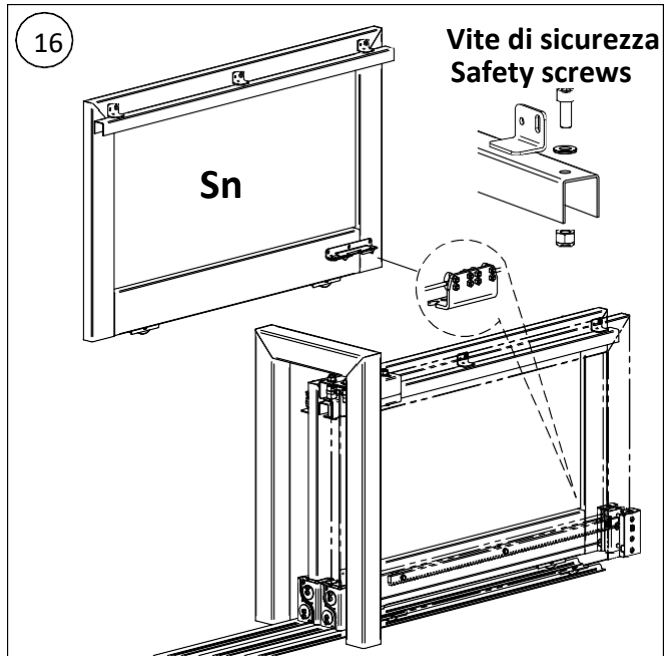
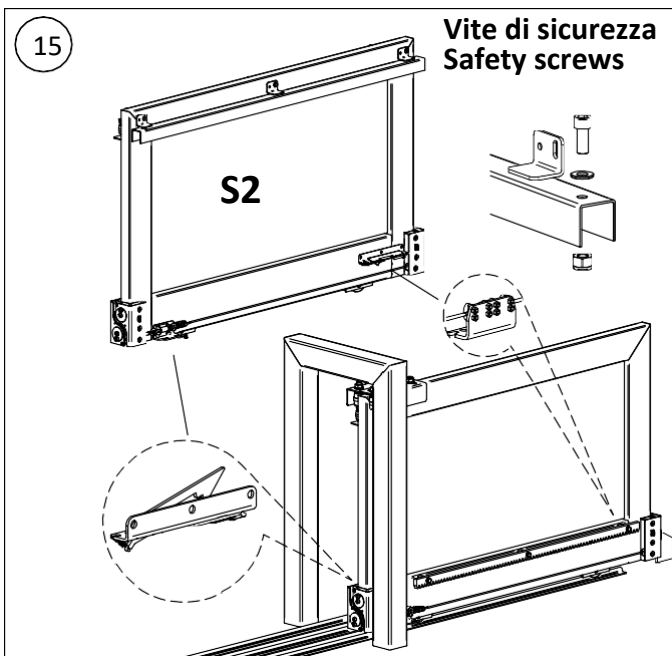
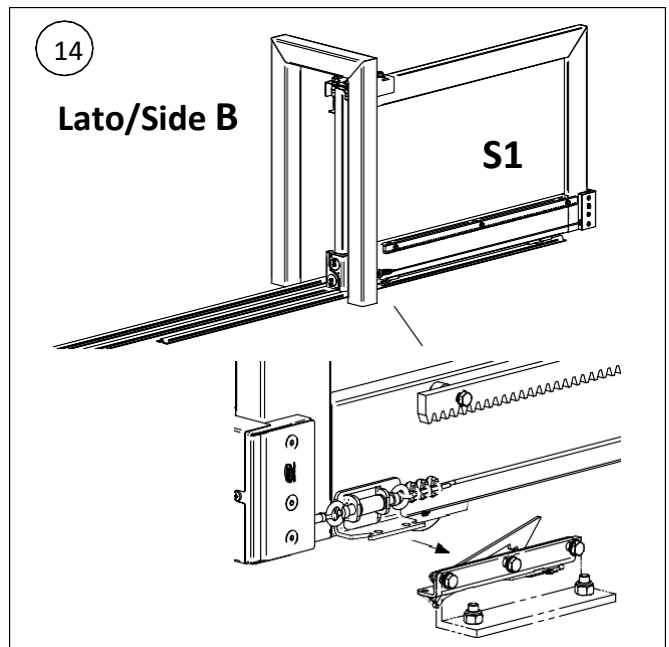
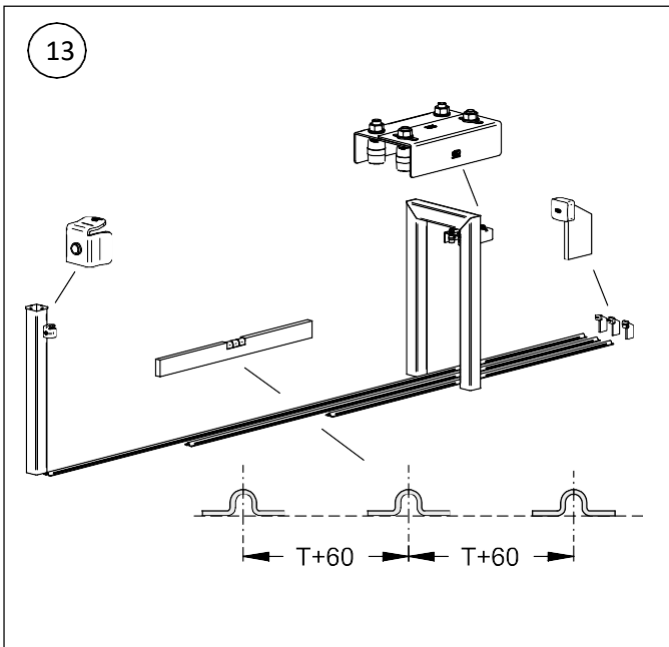
**Attention:** installations that do not comply with the illustrated procedure or failure to carry out correct maintenance operations can cause the gate to fail and endanger the safety of persons and property.



**Attention:** installations that do not comply with the illustrated procedure or failure to carry out correct maintenance operations can cause the gate to fail and endanger the safety of persons and property



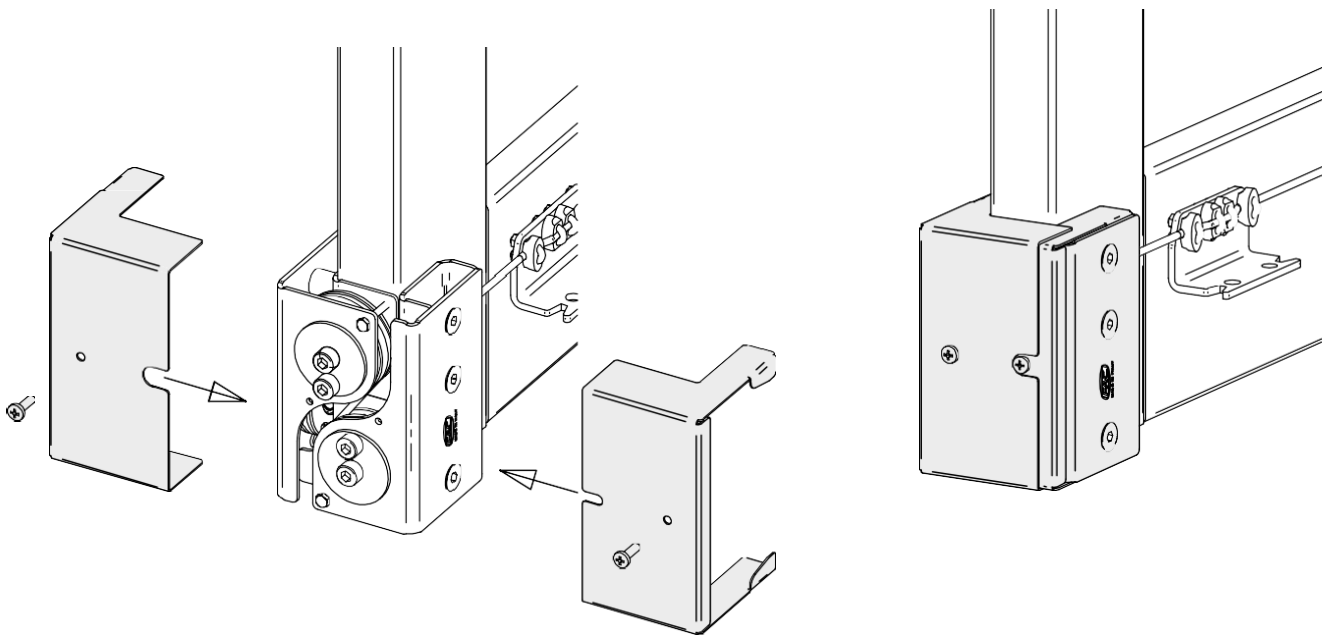
**Attention:** installations that do not comply with the illustrated procedure or failure to carry out correct maintenance operations can cause the gate to fail and endanger the safety of persons and property



**Attention:** installations that do not comply with the illustrated procedure or failure to carry out correct maintenance operations can cause the gate to fail and endanger the safety of persons and property

19 S1-S2

Carter di copertura / Cover carter

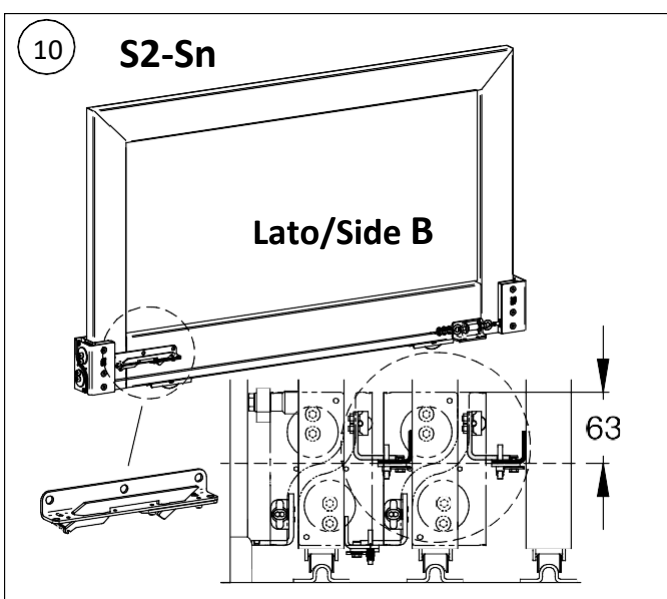
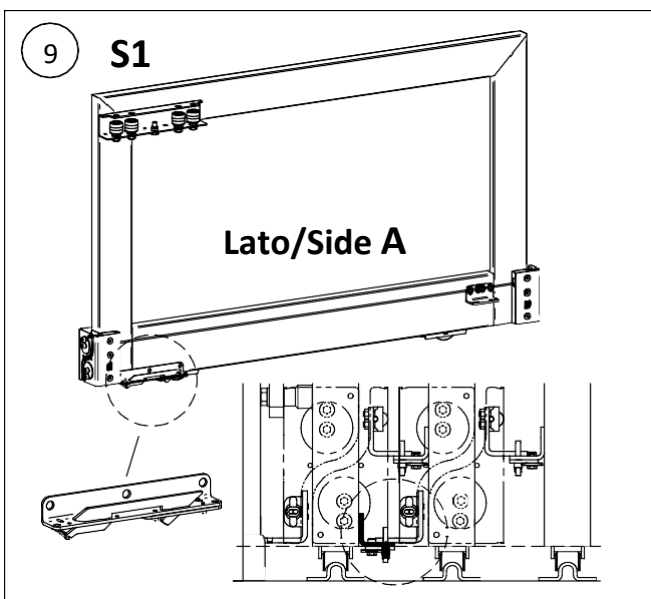
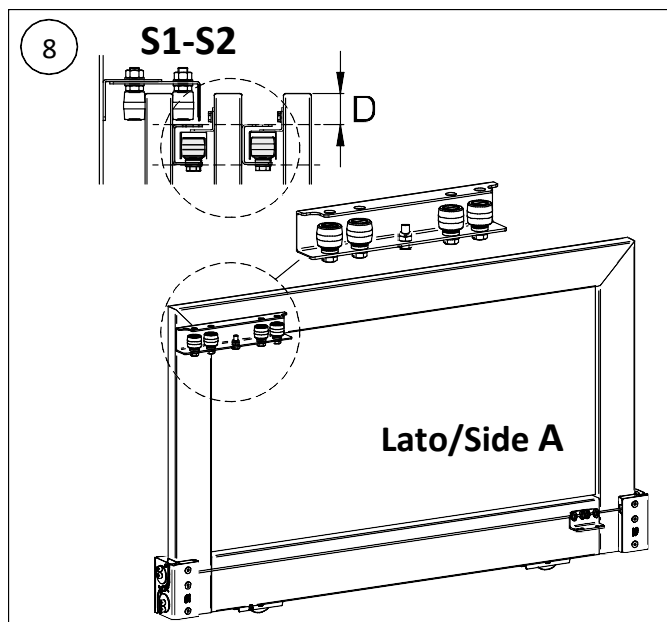
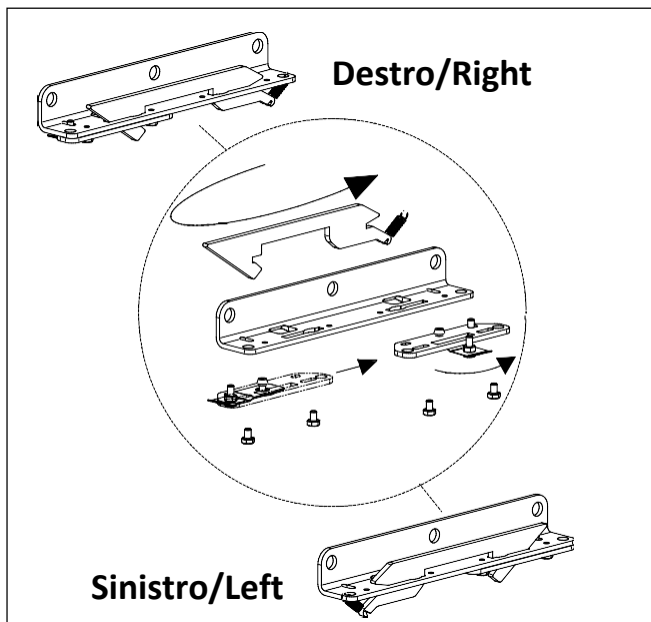
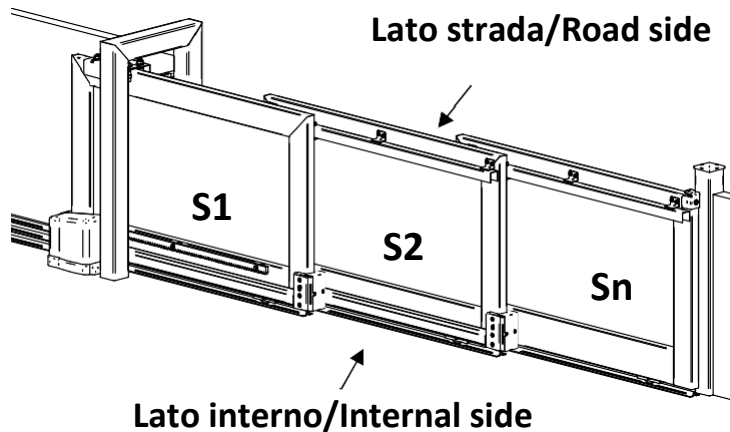


**Attention:** installations that do not comply with the illustrated procedure or failure to carry out correct maintenance operations can cause the gate to fail and endanger the safety of persons and property

## Versione Sinistra/Left version

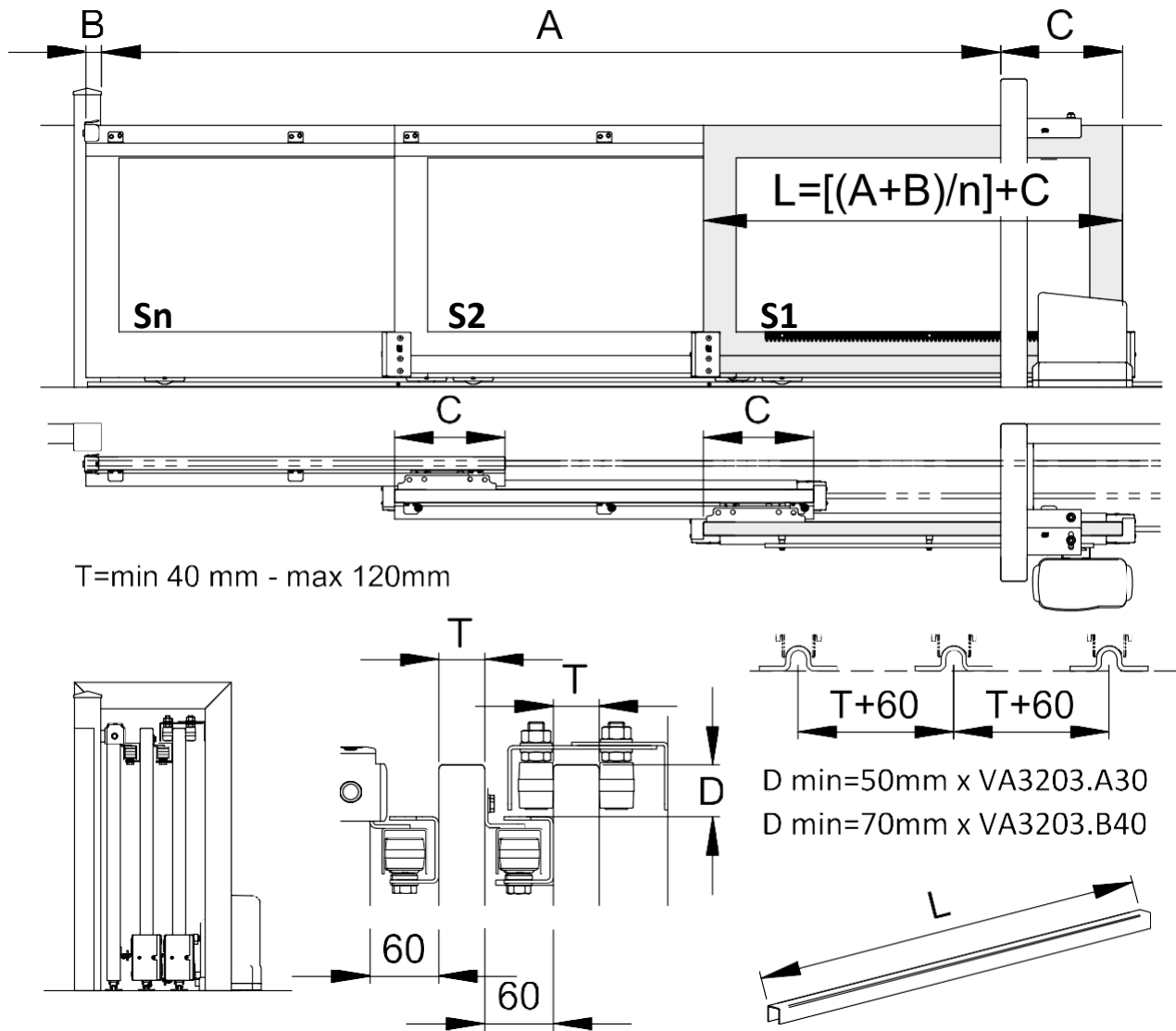
Stesse istruzioni ma da interpretare in senso opposto/ Same instructions but to be interpreted in the opposite direction  
Attenzione soprattutto ai punti sotto indicati/ Pay attention to the points listed below

- Rimontare tutti i kit aggancio nel verso opposto/ Install all the kit coupling in the opposite direction
- Preparare le ante ( fig. 8-9-10 ) in modo opposto/ Prepare the leaves (imm. 8-9-10) in the opposite way



**Attention:** installations that do not comply with the illustrated procedure or failure to carry out correct maintenance operations can cause the gate to fail and endanger the safety of persons and property

## TABELLA DIMENSIONAMENTO - DIMENSIONING TABLE



### DIMENSIONAMENTO ANTE - LEAF DIMENSIONING

Apertura Opening A(m)	L(m) dipende dal numero di ante con B=0,08m L(m) depending on the number of leaves with B=0,08m					
	n=2 Ante-Leaves			n=3 Ante-Leaves		
	C(m) min	L(m)	Kit	C(m) min	L(m)	Kit
3	0,35	1,89	1xKA5102.002	0,35	1,38	2xKA5102.002
4	0,35	2,39	1xKA5102.002	0,35	1,71	2xKA5102.002
5	0,35	2,89	1xKA5102.004	0,35	2,04	2xKA5102.002
6	0,35	3,39	1xKA5102.004	0,35	2,38	2xKA5102.002
7	0,35	3,89	1xKA5102.004	0,35	2,71	2xKA5102.004
8	0,35	4,39	1xKA5102.004	0,35	3,04	2xKA5102.004
9	0,35	-	-	0,35	3,38	2xKA5102.004
10	0,35	-	-	0,35	3,71	2xKA5102.004
11	0,35	-	-	0,35	4,04	2xKA5102.004
12	0,35	-	-	0,35	4,38	2xKA5102.004
Peso max x anta (Kg) Max leaf weight (Kg)	400			200		



**Attention:** installations that do not comply with the illustrated procedure or failure to carry out correct maintenance operations can cause the gate to fail and endanger the safety of persons and property



## ***Esempio calcolo lunghezza anta L x misure fuori tabella*** ***Example leaf calculation length L x measures not in table***

**n=3** (numero ante/leaves number)

**A=9,6mt**

**B=0,06mt**

**C=0,35mt** (da tabella sopra/from above table)

**L=[(A+B)/n]+C**

**L=[(9,6+0,06)/3]+0,35=3,57mt**

### ***Esempio scelta kit/Example kit choice***

**A/n** fino a 2mt KA5102.002 - **A/n** up to 2 meters KA5102.002

**A/n** maggiore di 2 fino a 4 KA5102.004 - **A/n** greater than 2 up to 4 KA5102.004

**A=9,6mt**

**n=3**

**9,6/3 =3,2mt** Kit KA5102.004

Numero kit/ kit number= n-1     3-1 = 2

### ***Technical Specifications***

1. The installation of safety strikes and safety screws (fig.15-16) is compulsory
2. To select the right automation, is necessary to calculate the weight of the gate by adding the weight of the first leaf S1 to twice the weight of the second leaf S2 to the triple of the third and so on
  - To calculate mass = WeightS1 + (2 x WeightS2)+ (3 x WeightS3)+.....
3. The recommended automation: 24Volt DC
4. The ideal tension of the wire is just enough to keep the wire stright. Excessive tension of the wire will shortens its work life
5. Maximum Sn closing speed = 0.18m/s
  - Fast and hard start and stops will result in system failure
  - Accelerations, decelerations and high speed variations could cause an elastic effect between the leaves during movement.

### ***Maintenance***

To maintain these parts in good and safe working conditions it is necessary to follow these steps:

1. After gate assembly is completed, perform a few manual opening and closing cycles, make sure there are no loose parts. Maximim every 3 months check the system to make sure there are no loose parts and to lubricate.
2. In case of loosen wire check alla clamps and follow the tensioning procedure
3. In case of accidental shock caused by moving vehicles or other external factors, check parts for external damages. In case of irreparable damage, replace with a new part. Always check the gate by manually opening a few opening and closing cycles. All maintenance procedures must be performed by trained technicians.
4. If the gate has any difficulty of movement or in presence of abnormal oscillations, the gate must be checked for worn parts and must be replaced if necessary. Gates working in harsh ambient conditions, such as; high humidity, salt, acids, dust or temperatures above 120°C will require special attention and frequent maintenance.



**Attention:** installations that do not comply with the illustred procedure or failure to carry out correct maintenance operations can cause the gate to fail and endanger the safety of persons and propriiet